



# SPM-K8

WALL MOUNT BRACKET  
SUPPORT MURAL

サウンドプロジェクター壁掛け金具

Installation Manual

Manuel d'installation

Installationsanleitung

Instllationsanvisningar

Manuale d'installazione

Manual de instalación

Installatiehandleiding

安装说明书

설치 설명서

取付説明書

English

Français

Deutsch

Svenska

Italiano

Español

Nederlands

中文

한국어

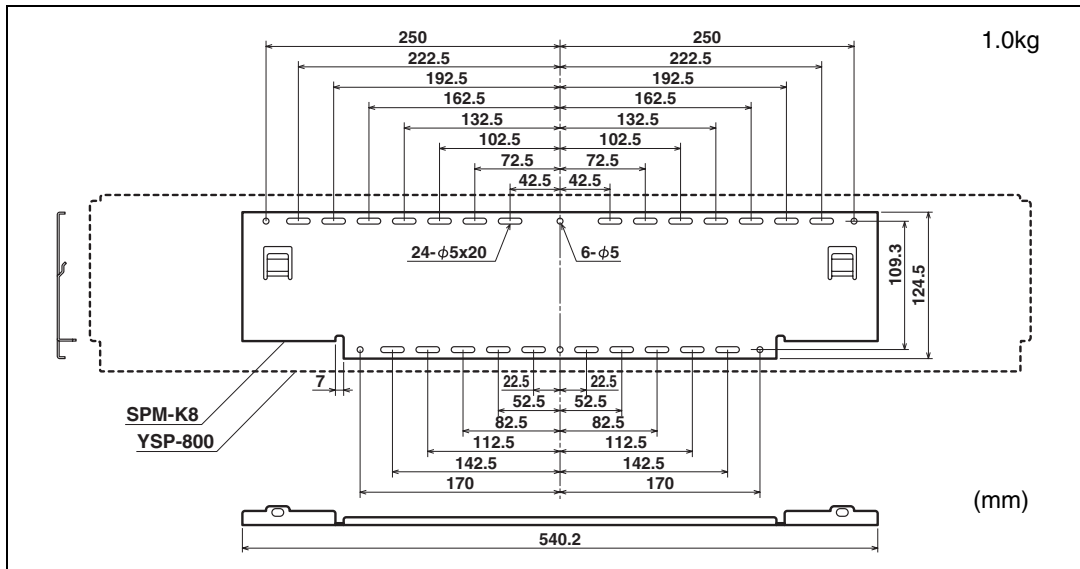
日本語

**DIMENSIONS**  
**DIMENSIONS**  
**ABMESSUNGEN**  
**MATTSKISSER**  
**DIMENSIONI**

**DIMENSIONES**  
**AFMETINGEN**  
 各个部分的尺寸  
 크기  
 各部の寸法

**Large wall mount bracket**  
**Grand support mural**  
**Große Wandhalterung**  
**Stort väggmonteringsfäste**  
**Staffa di installazione a muro grande**

**Soporte de montaje en pared grande**  
**Grote wandbevestigingsbeugel**  
 挂壁托架 (大)  
 대형 벽 마운트 브라켓  
 壁掛け金具 (大)

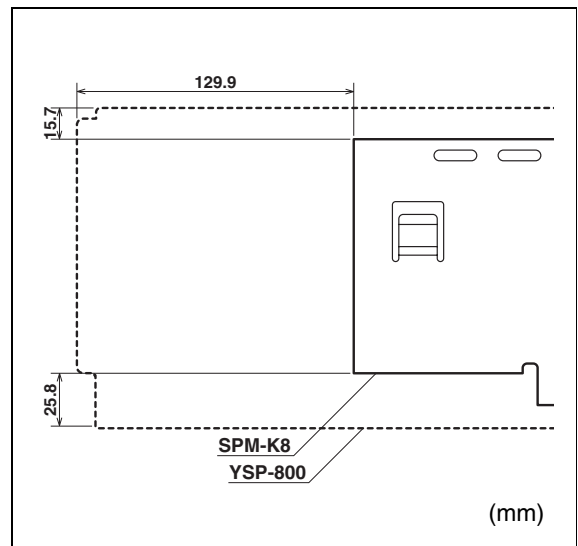
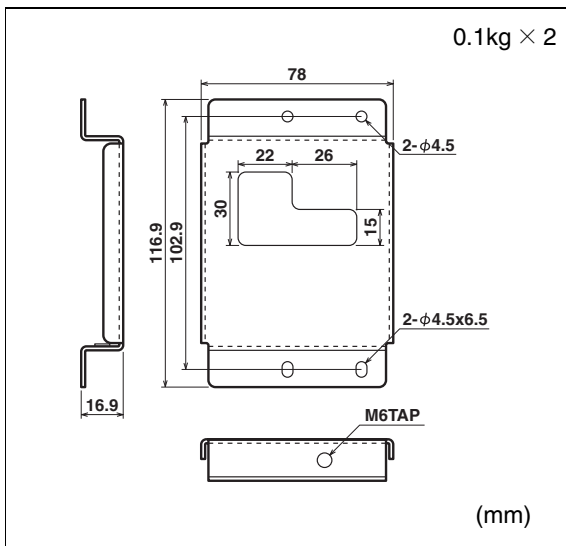


**Small wall mount bracket**  
**Petit support mural**  
**Kleine Wandhalterung**  
**Litet väggmonteringsfäste**  
**Staffa di installazione a muro piccola**

**Soporte de montaje en pared pequeño**  
**Kleine wandbevestigingsbeugel**  
 挂壁托架 (小)  
 소형 벽 마운트 브라켓  
 壁掛け金具 (小)

**Unit with bracket**  
**Le système avec son support**  
**Einheit mit Halterung**  
**Ljudprojektorn med fästet**  
**Unità con staffa**

**Unidad con ménsula**  
**Toestel met de beugel**  
 悬挂时尺寸  
 브라켓이 있는 기기  
 取付時の寸法



## WALL MOUNT BRACKET

# SPM-K8

## Installation Manual

Thank you very much for purchasing the Wall Mount Bracket SPM-K8. Be sure to read this manual thoroughly before using this bracket. After you have read this manual, retain it for future reference.

**When installing the Sound Projector using this bracket, all installation work must be performed by a qualified contractor or dealer personnel. The customer must never attempt to perform this installation work. Improper or inadequate installation could cause the Sound Projector to fall, resulting in personal injury.**

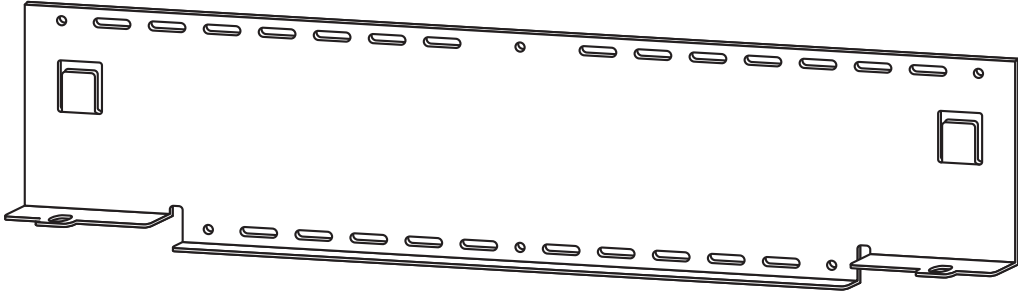
## SAFETY INSTRUCTIONS

- **Always follow the instructions set forth in this manual when installing the Sound Projector using this bracket.**  
Improper or inadequate installation could cause the Sound Projector to fall, resulting in personal injury.
- **The installation must be secure enough to bear the weight of the Sound Projector, the wall bracket and other hardware indefinitely, and must also be secure enough to withstand vibrations.**  
Improper or inadequate installation could cause the Sound Projector to fall, resulting in personal injury.
- **To ensure safety, all screws must be tightened securely.**  
Loose screws could cause the Sound Projector to fall, resulting in personal injury.
- **Make sure to leave adequate ventilation space around the unit to allow heat generated by the Sound Projector to dissipate.**  
Failure to provide adequate space around the unit could cause the Sound Projector to overheat internally, resulting in a fire.
- **Never hang from the Sound Projector or the wall bracket.**  
Hanging from the Sound Projector or the wall bracket could cause the Sound Projector or the wall bracket to fall, resulting in personal injury.
- **Once the Sound Projector is installed, safety checks should be conducted on a regular basis.**  
If the Sound Projector is used over an extended period of time, screws can become loose and the installation can become weaker due to the passage of time, vibrations, etc.

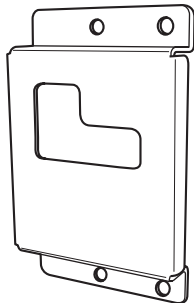
# ACCESSORIES

Check that all of the following parts are included.

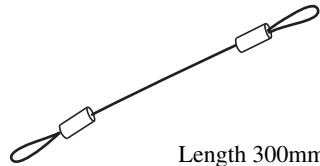
Large wall mount bracket (x1)



Small wall mount brackets (x2)



Safety wires (x2)



Length 300mm

Projector mounting screws  
(M6 x 16) (x2)



Projector mounting screws (spare)  
(M4 x 10) (x8)



**Prepare more than six sets of commercially available tapping screws (M4, 25 mm or more in length) and washers in addition to the accessories shown above.**

# INSTALLATION PROCEDURE

Make sure to leave adequate ventilation space around the unit and follow the instructions below.

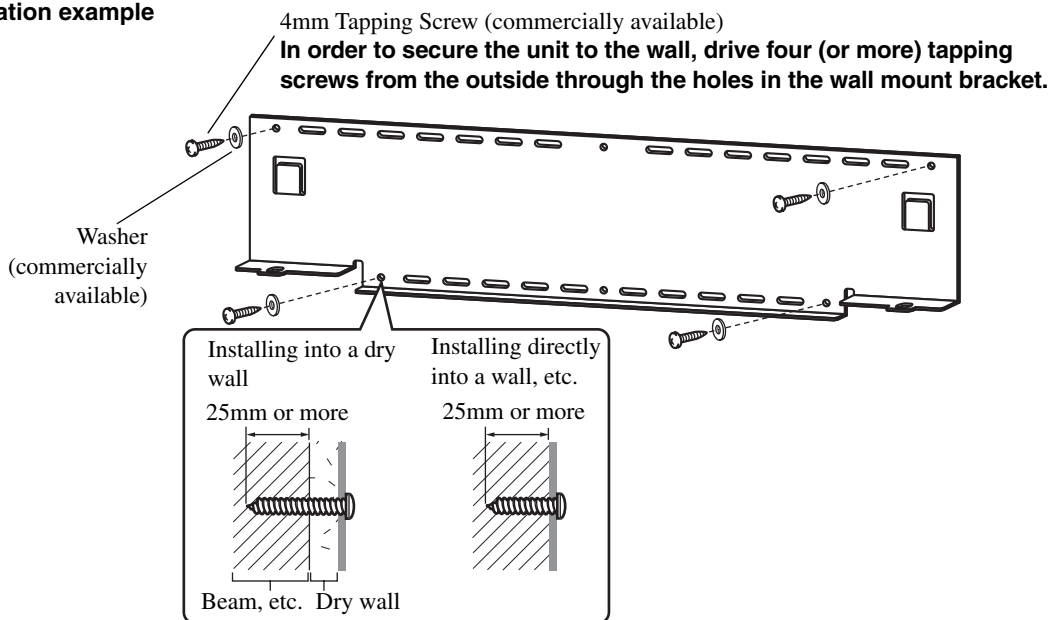
## 1 Attach the large wall mount bracket to the wall.

In order to secure the unit to the wall, you will need to attach the bracket to the wall first in a manner befitting the structure and quality of the wall.

Choose a location where the wall can bear the weight of the whole unit.

Before installing the bracket, make sure of the size (see "DIMENSIONS" on the first page of this manual).

### Installation example

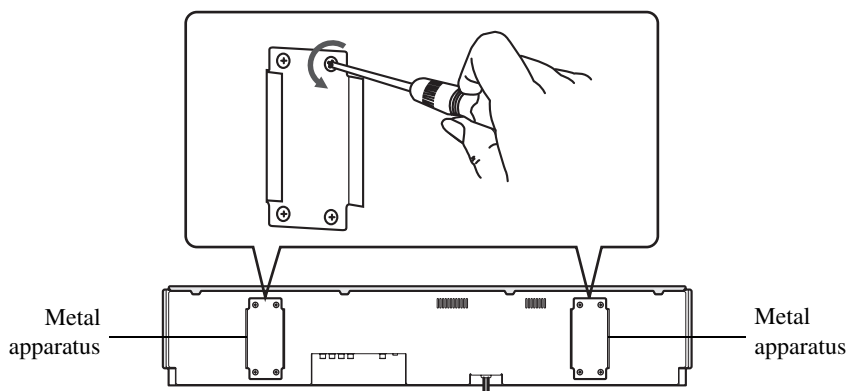


Choose a secure wall or beam to fasten the screws. Do not install them into walls made of weak material that can easily come off, such as mortar or plywood wall panels. Loose screws could cause the projector to fall, resulting in personal injury.

## 2 Detach the metal apparatuses from the Sound Projector.

Detach the metal apparatuses from the rear left and right sides of the Sound Projector.

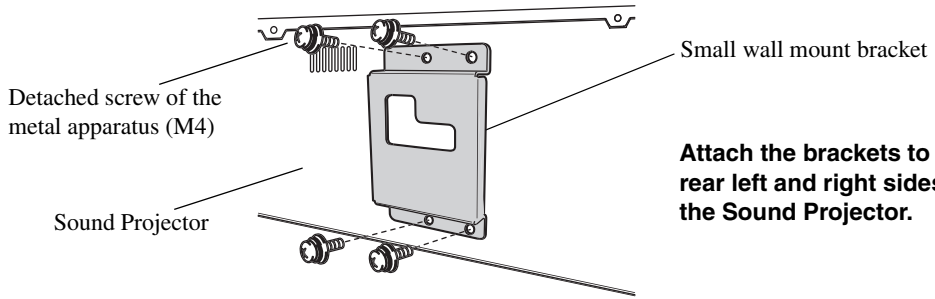
You need the detached screws in procedure 3. Be careful not to lose them.



### 3 Attach the small wall mount brackets to the Sound Projector.

Use screws of the metal apparatus (M4) detached in procedure 2 to securely attach the two small wall mount brackets to the rear left and right sides of the Sound Projector.

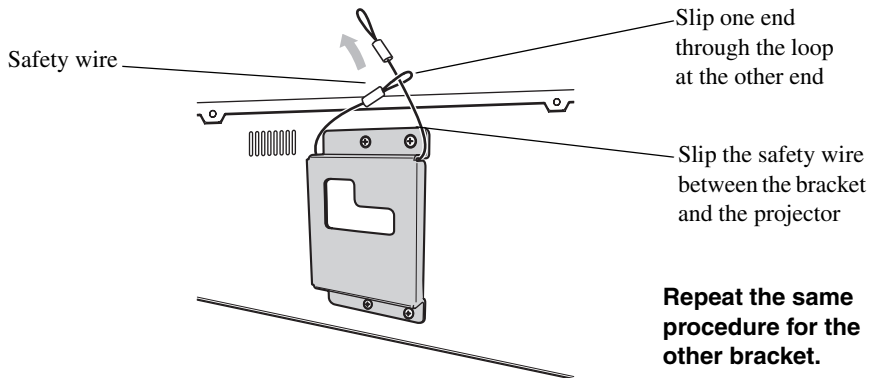
#### Rear View



If you tighten the screws on the slant, the screw threads in the projector might be broken. Be careful when using electric tools.

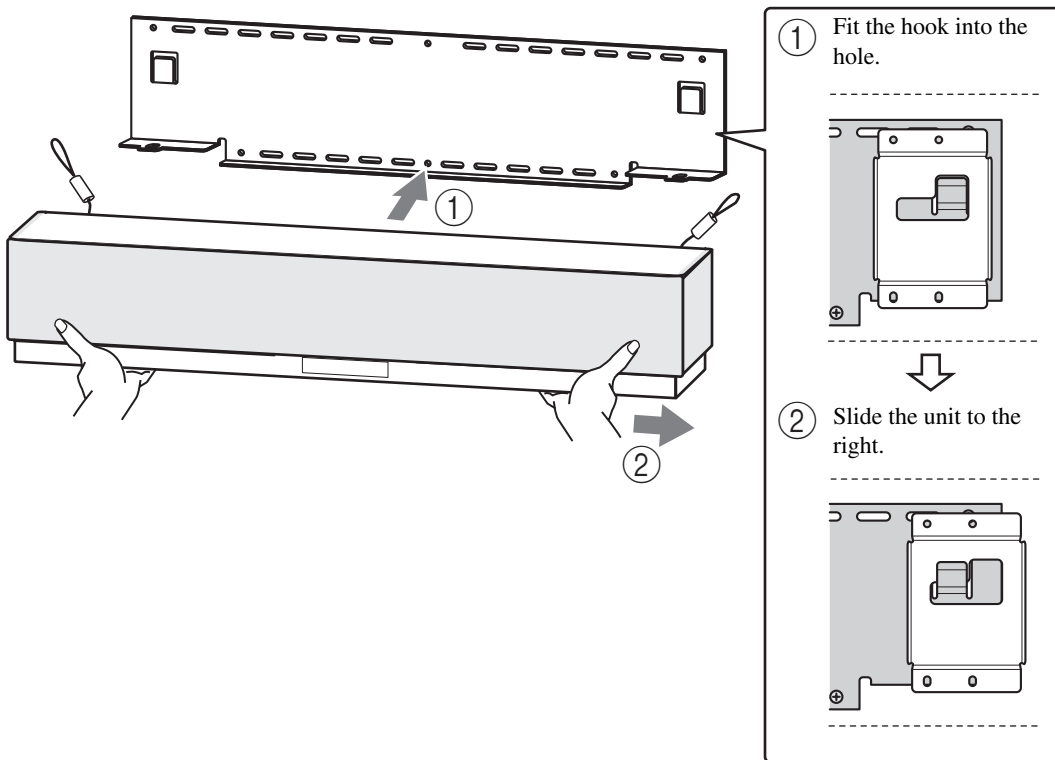
### 4 Attach the safety wire.

Attach the safety wire to the small wall mount bracket to prevent the Sound Projector from falling.



## 5 Mount the Sound Projector on the wall.

Fit the mounting guide hooks of the small wall mount brackets attached to the Sound Projector into the holes on the left and right sides of the large wall mount bracket and then slide the unit to the right.

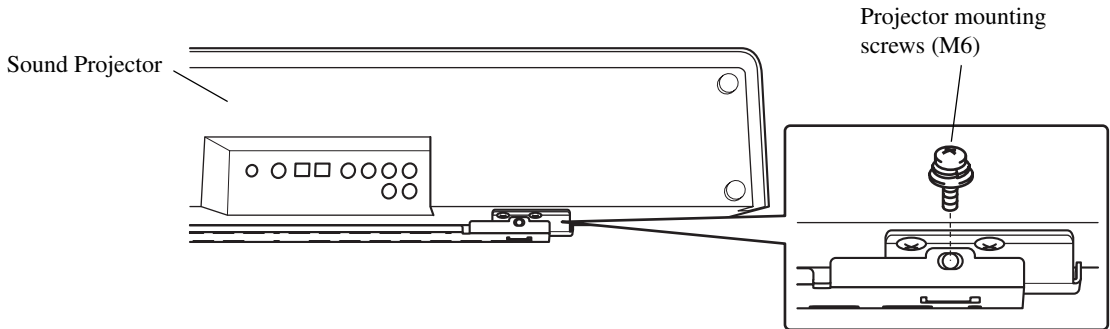


**Hold the Sound Projector tight with both hands when attaching or removing the Sound Projector to or from the wall. Holding the Sound projector loosely could cause the Sound projector to fall, resulting in personal injury.**

## **6 Secure the unit.**

Align the holes in the large wall mount bracket with the holes in the bottom of the small wall mount brackets, and then use two of the supplied projector mounting screws (M6 x 16) to secure the unit.

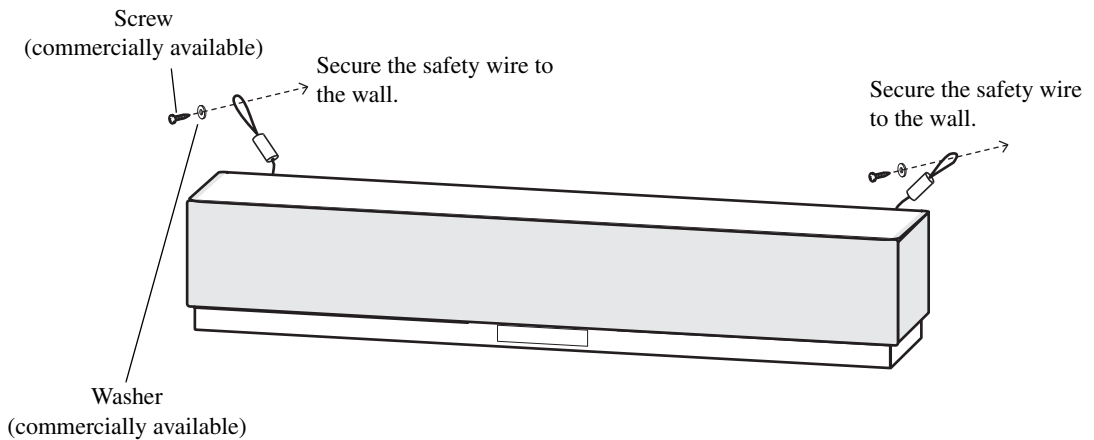
### **Bottom View**



## **7 Attach the safety wires to the wall.**

Pass the screws (commercially available) through the loops of the safety wires and then tighten the screws to secure the safety wires to the wall.

Make sure that the screws are strong enough to bear the weight of the Sound Projector and the brackets in case they fall.



**Attach the safety wires tight.**





© 2005 YAMAHA CORPORATION All rights reserved.

**YAMAHA ELECTRONICS CORPORATION, USA** 6660 ORANGETHORPE AVE., BUENA PARK, CALIF. 90620, U.S.A.  
**YAMAHA CANADA MUSIC LTD.** 135 MILNER AVE., SCARBOROUGH, ONTARIO M1S 3R1, CANADA  
**YAMAHA ELECTRONIK EUROPA G.m.b.H.** SIEMENSSTR. 22-34, 25462 RELINGEN BEI HAMBURG, GERMANY  
**YAMAHA ELECTRONIQUE FRANCE S.A.** RUE AMBROISE CROIZAT BP70 CROISSY-BEAUBOURG 77312 MARNE-LA-VALLEE CEDEX02, FRANCE  
**YAMAHA ELECTRONICS (UK) LTD.** YAMAHA HOUSE, 200 RICKMANSWORTH ROAD WATFORD, HERTS WD18 7GQ, ENGLAND  
**YAMAHA SCANDINAVIA A.B.** J A WETTERGRENS GATA 1, BOX 30053, 400 43 VÄSTRA FRÖLUNDA, SWEDEN  
**YAMAHA MUSIC AUSTRALIA PTY, LTD.** 17-33 MARKET ST., SOUTH MELBOURNE, 3205 VIC., AUSTRALIA

ヤマハ株式会社

YAMAHA CORPORATION

Printed in Malaysia ◀ WG21260